

Technical specifications FT240



Display and touch FT240

Size	24" TFT-LCD
Format	16:9
Resolution	1920x1080
LED life time	50,000 Hours
Contrast ratio	5000:1
Luminance	300 cd/m2
Response time	Ton: 16ms Toff: 9ms
Viewing angle	12 o'clock = 89° 9 o'clock = 89° 6 o'clock = 89° 3 o'clock = 89°
Touch type	Resistive touch

I/O Common features

Serial port	2x RS232 2x RS232/422/485
USB port	4x USB 2.0 2x USB 3.0
Power in	1x IEC C14 power connector (male)
Power out	5VDC 1A

Computer Common features

CPU	4th generation Intel® Core™ i3-4100E processor 2.4 GHz
Chipset	Intel® HM86
System memory	4GB DDR3L-1600 (can be other size on request)
HDMI port	2x HDMI
Lan	2x 10/100/1000 Mbps

Storage Common features

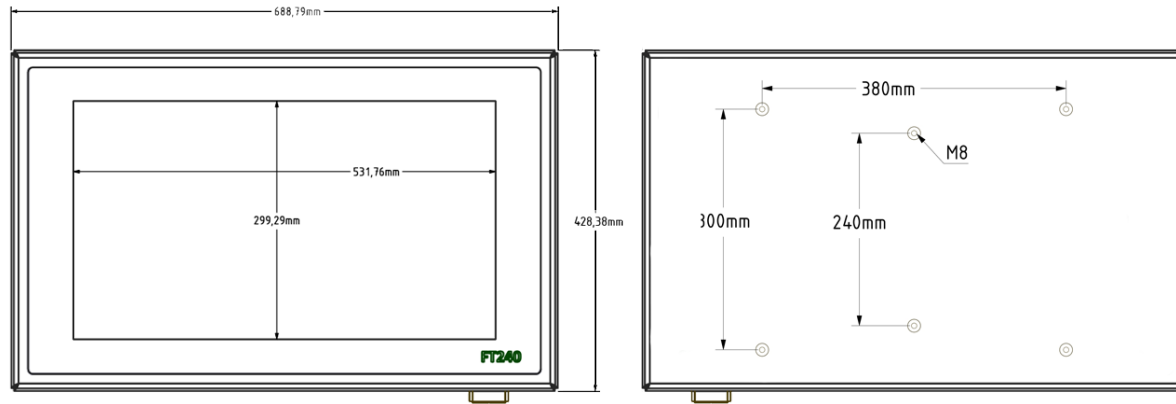
Type	64GB 2,5" SSD (can be other size on request)
Expansion type	Full-Size Mini PCI Express Mini Card with mSATA

Power supply Common features

Voltage	100 - 240 VAC, 50/60 Hz
Power consumption	40 Watt

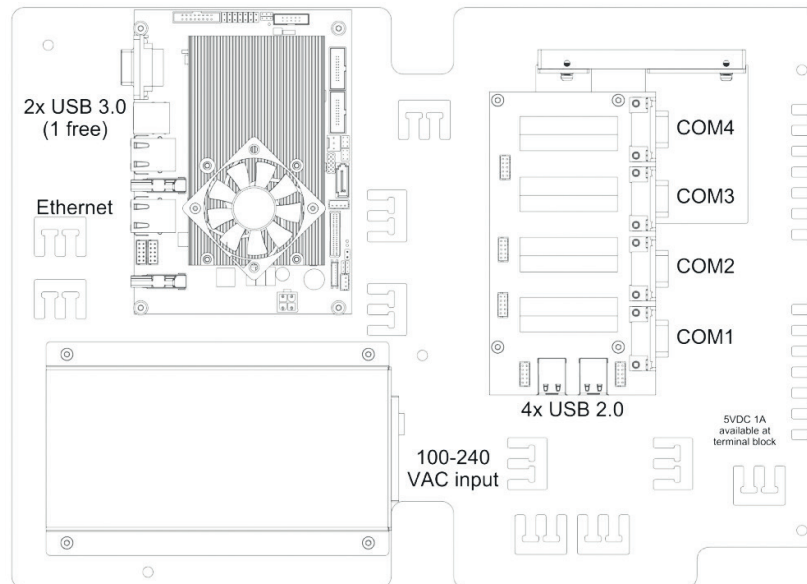
Mechanical and environment FT240

Cabinet	AISI 316 stainless steel
Dimensions (D, H, W)	132,28mm x 428,38mm x 688,79mm
Weight	18 kg
IP Rating	IP65 (IP66 at cable input)
Working temperature	-10°C to + 35 °C
Storage temperature	-20°C to + 60 °C
Humidity	10% to 95% not condensing
Emission	EN 61000-6-3
Immunity	EN 61000-6-2



FT240

Mechanical drawing



Connections

Mechanical drawing

Techon7 ApS
Spettrupvej 1C
DK-8722 Hedensted

+45 7060 2777
techon7.dk